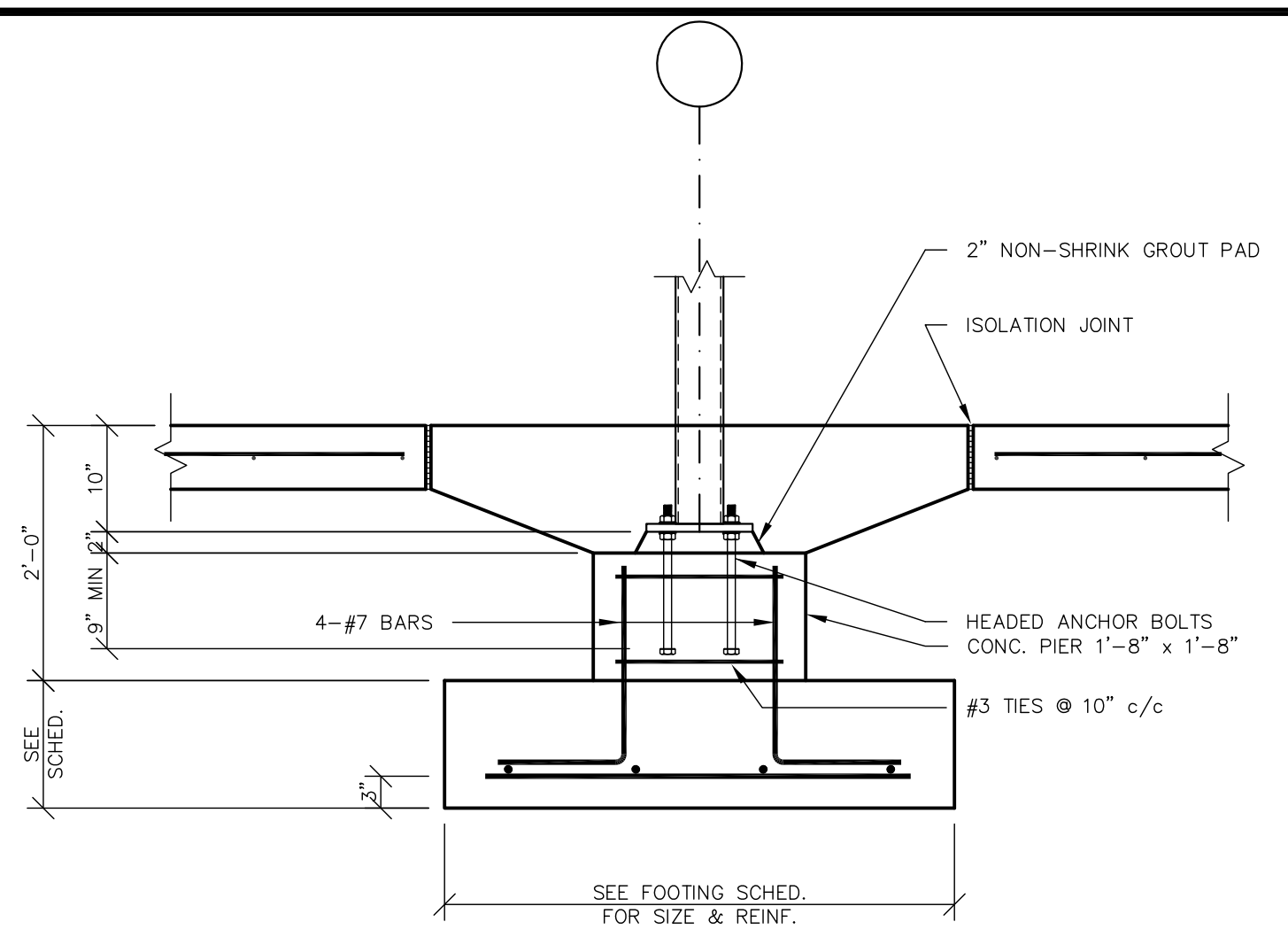
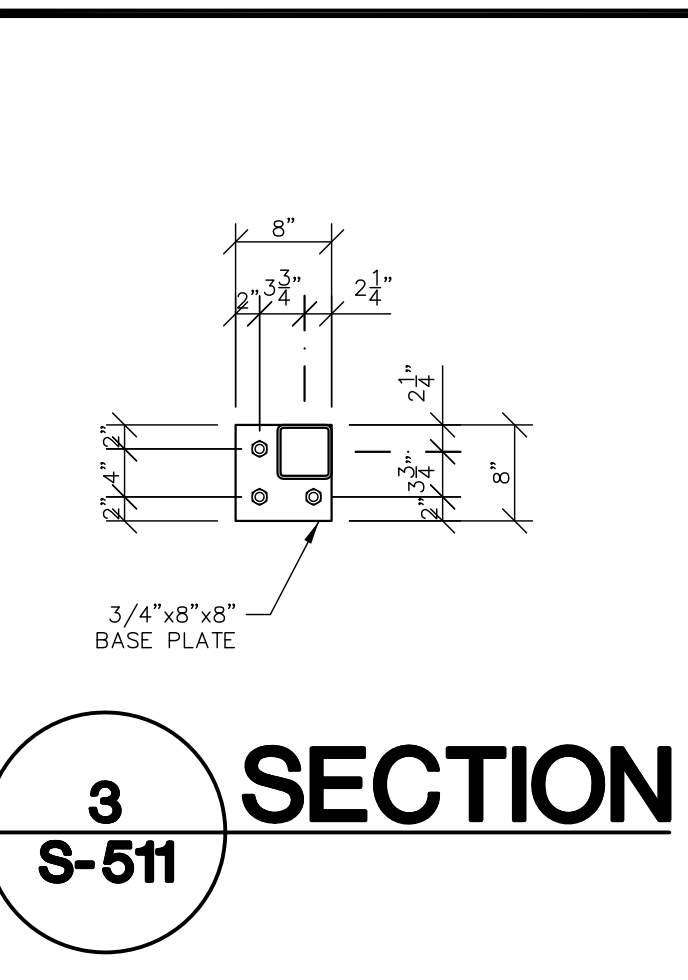


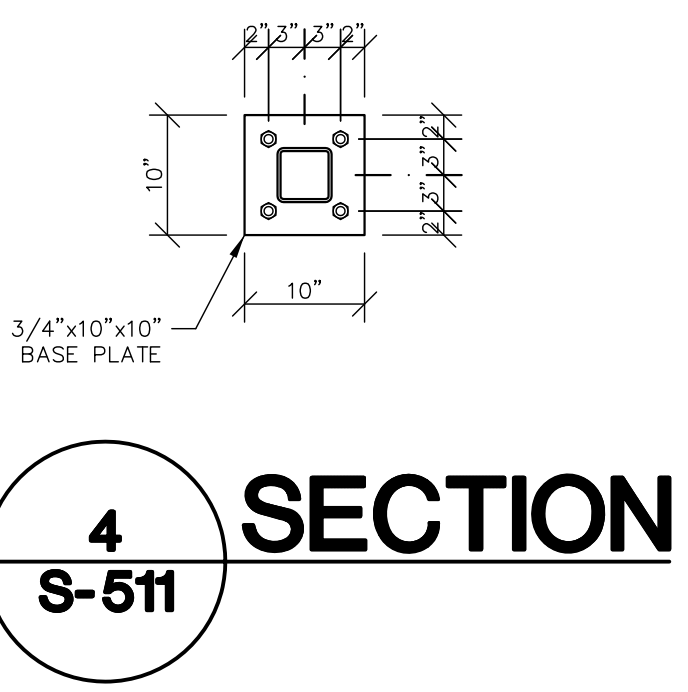
1 SECTION
S-511
TYPICAL AT DRYER TOWER
TYPICAL AT FLUFF TOWER



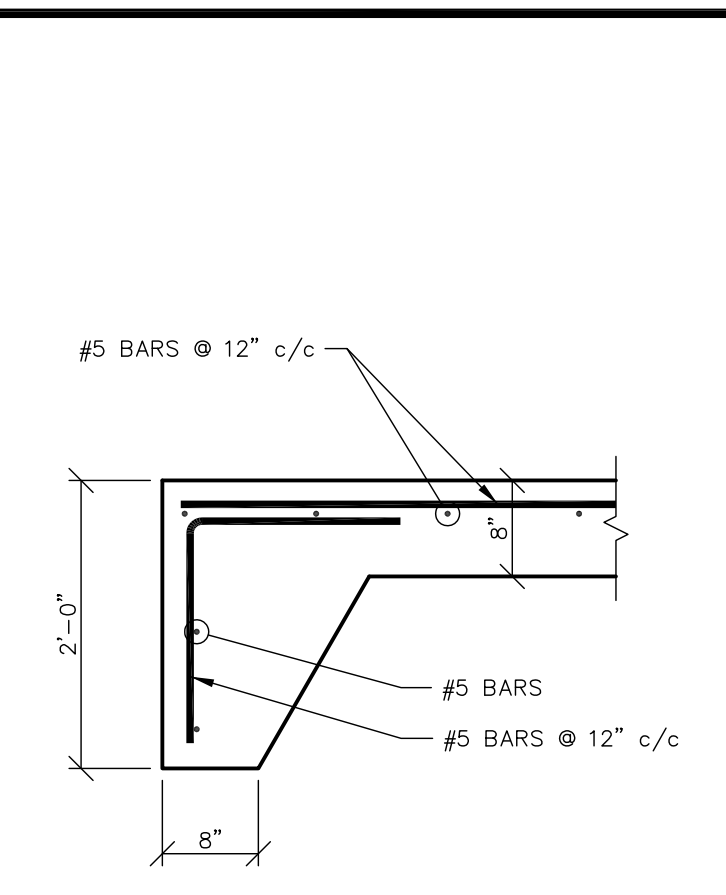
2 SECTION
S-511



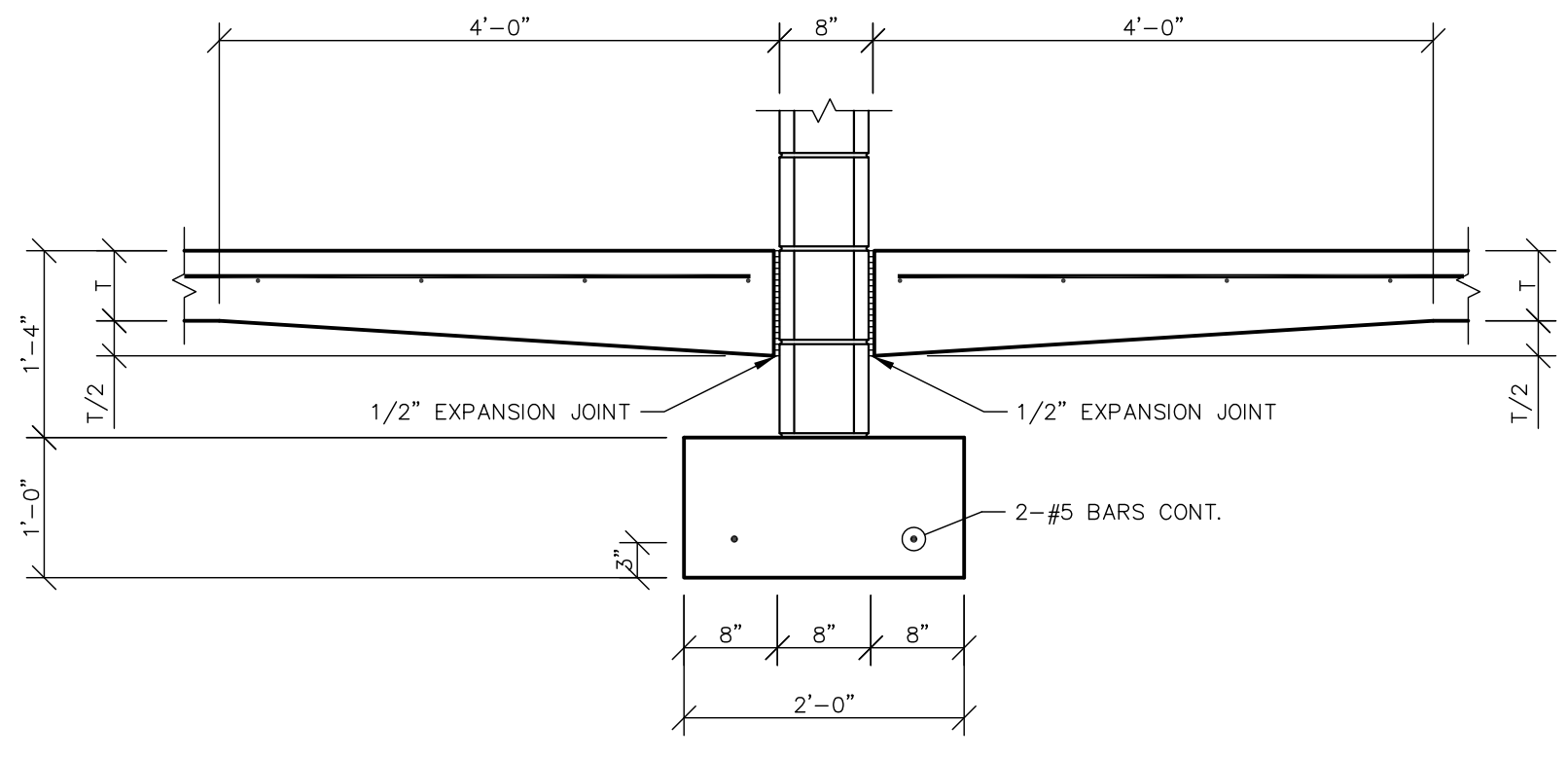
3 SECTION
S-511



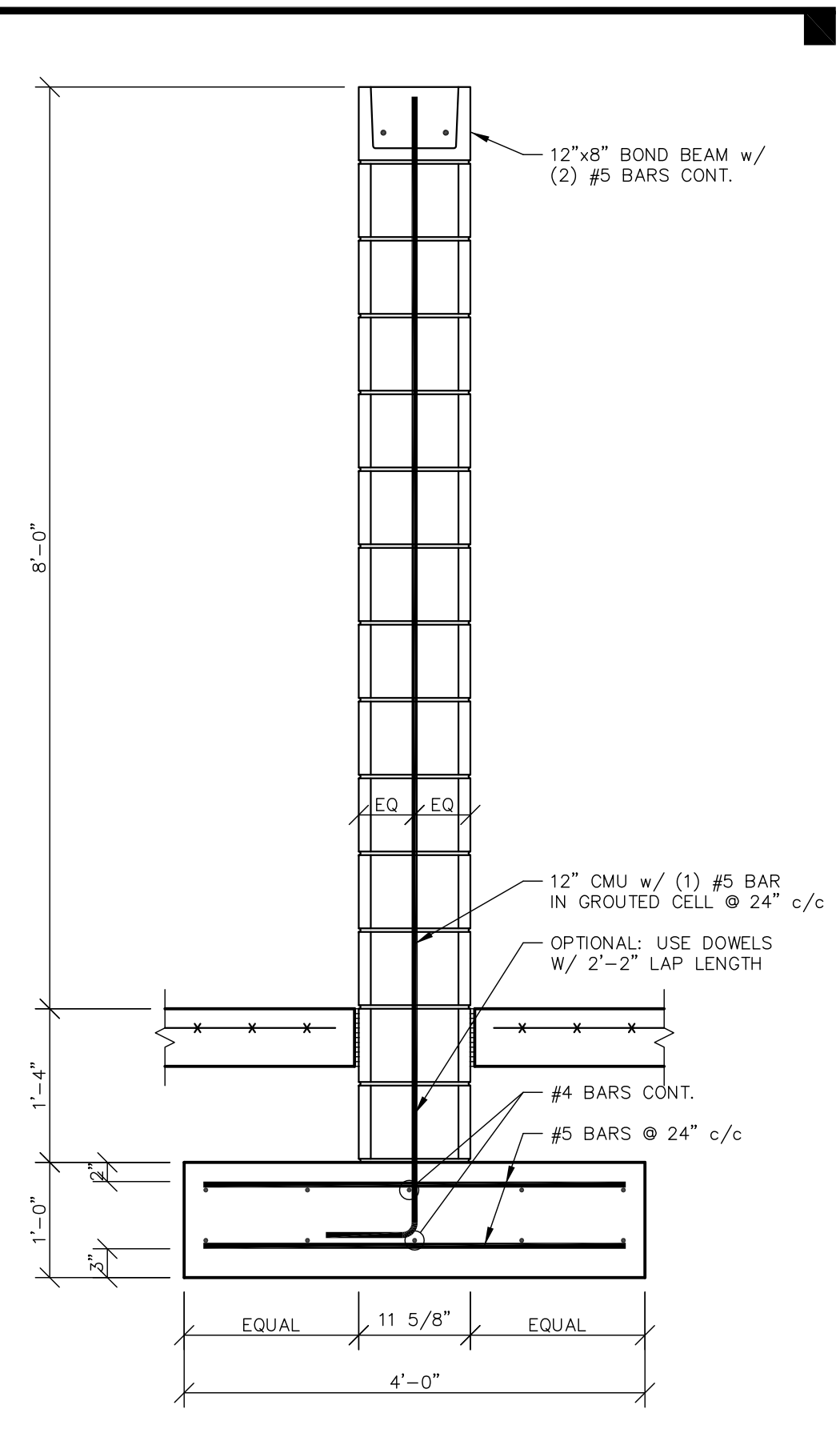
4 SECTION
S-511



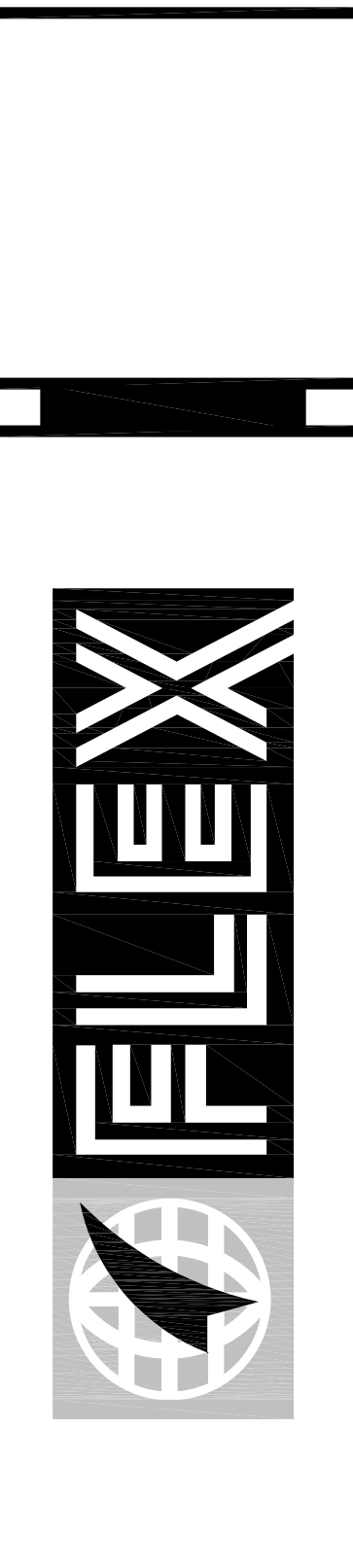
5 SECTION
S-511



7 SECTION
S-511
TYPICAL INTERIOR CMU WALL ON FOOTING



6 SECTION
S-511



FLEX FILMS (USA) INC.
1221 NORTH BLACK BRANCH ROAD
ELIZABETHTOWN, KENTUCKY 42702
PROJECT L-12 BOPET U.S.A.

DATE	REVISION NUMBER	REVISION
10-21-11	1	REVISED NUMBER ONE
01-04-12	2	REVISED NUMBER TWO
01-04-12	3	REVISED NUMBER THREE

PROJECT NO. 8529-02
DESIGNED BY: ETH
DRAWN BY: GPT/EFH
CHECKED BY: FH
REVIEWED BY:
DATE: JULY 2011
SCALE: AS NOTED

nse
OF KENTUCKY, INC.
Engineers
Architects
Planners
624 Wellington Way
Lexington, KY 40503
Phone: (859)223-5694
Fax: (859)223-5697
www.nseinc.com

DRAWING NO.
UFL-L12
S-511

CONCRETE SECTIONS